

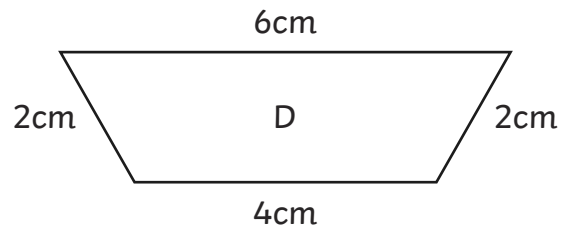
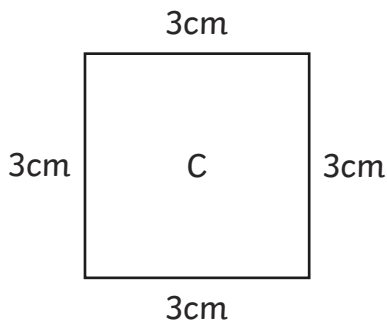
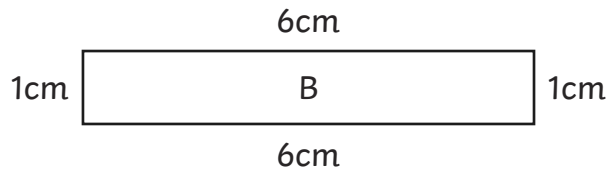
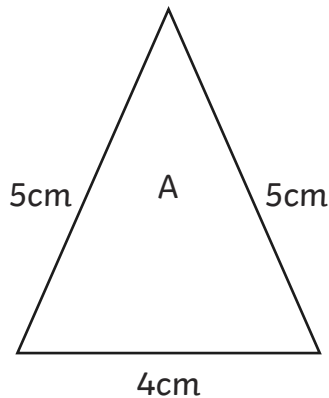


Solving Perimeter Problems

I can solve problems involving perimeter.



- 1) Calculate the perimeter of these shapes.
Which is the odd one out, and why?



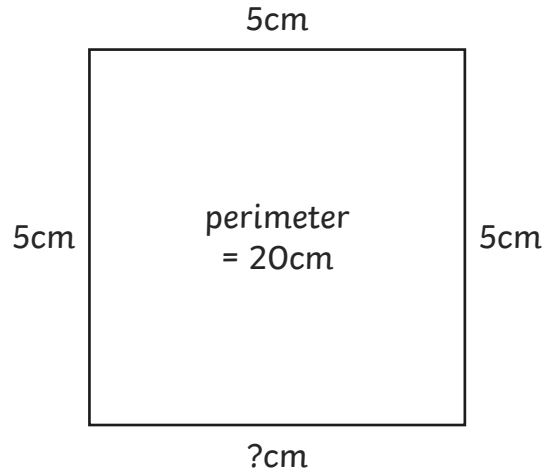
Odd shape out: _____

Reason: _____

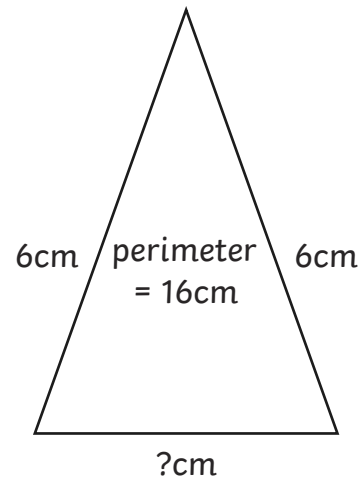


2) Calculate the length of the missing side.

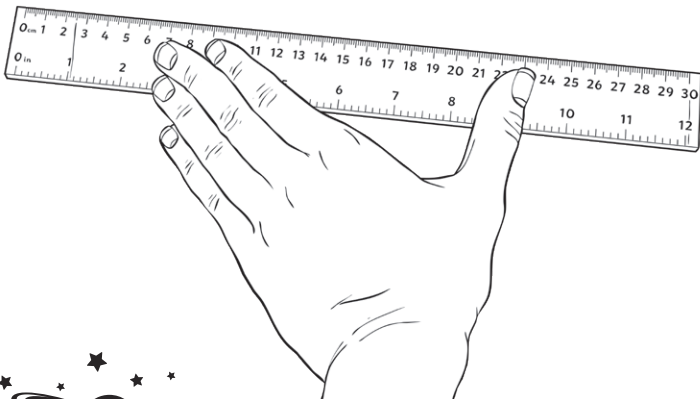
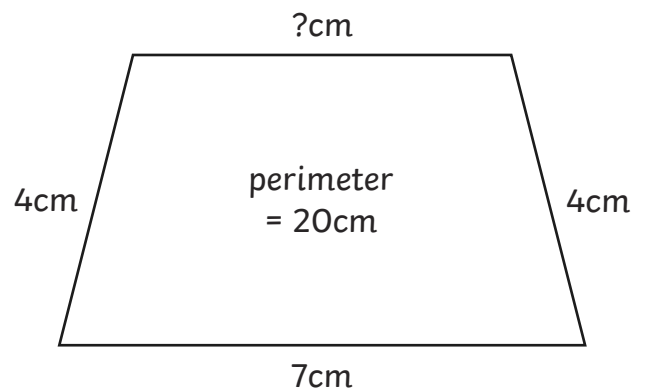
- a) Hint:
 $5\text{cm} + 5\text{cm} + 5\text{cm} + \underline{\hspace{2cm}} = 20\text{cm}$
 $15\text{cm} + \underline{\hspace{2cm}} = 20\text{cm}$
Missing side = $\underline{\hspace{2cm}}$ cm



- b) Hint:
 $6\text{cm} + 6\text{cm} + \underline{\hspace{2cm}} = 16\text{cm}$
 $12\text{cm} + \underline{\hspace{2cm}} = 16\text{cm}$
Missing side = $\underline{\hspace{2cm}}$ cm

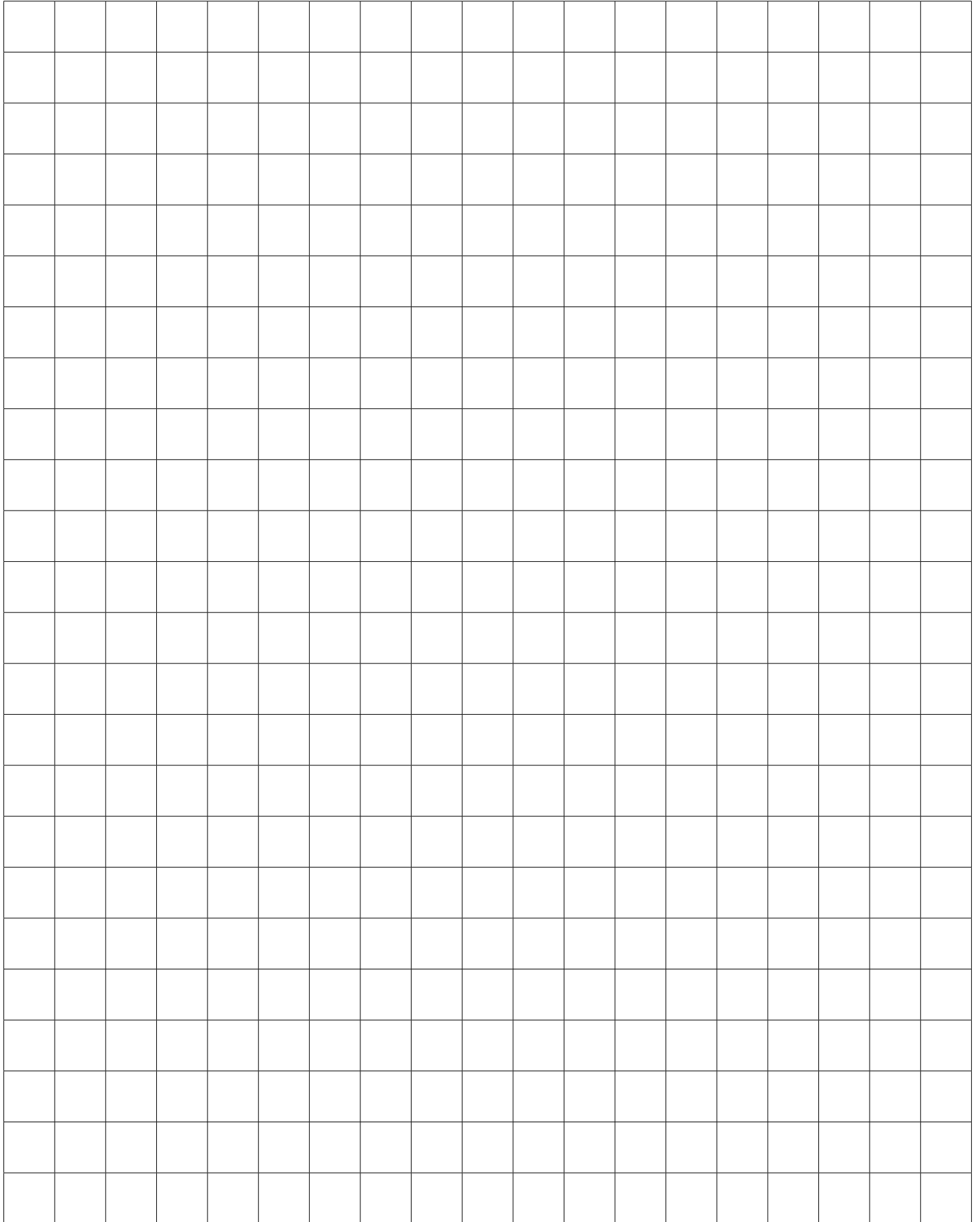


- c) Hint:
 $7\text{cm} + 4\text{cm} + 4\text{cm} + \underline{\hspace{2cm}} = 20\text{cm}$
 $15\text{cm} + \underline{\hspace{2cm}} = 20\text{cm}$
Missing side = $\underline{\hspace{2cm}}$ cm





3) Draw two different rectangles, with a perimeter of 16cm:





Solving Perimeter Problems **Answers**

Question	Answer
1.	Calculate the perimeter of these shapes. Which is the odd one out, and why?
	Odd shape out: <i>Shape C</i> Reason: <i>a sentence to show that Shape C has a perimeter of 12cm and all the other shapes have a perimeter of 14cm.</i>
2.	Calculate the length of the missing side.
a.	<i>5cm</i>
b.	<i>4cm</i>
c.	<i>5cm</i>
3.	Draw two different rectangles, with a perimeter of 16cm:
	Two rectangles drawn from the following dimensions: <i>7cm x 1cm; 6cm x 2cm; 5cm x 3cm; 4cm x 4cm</i>

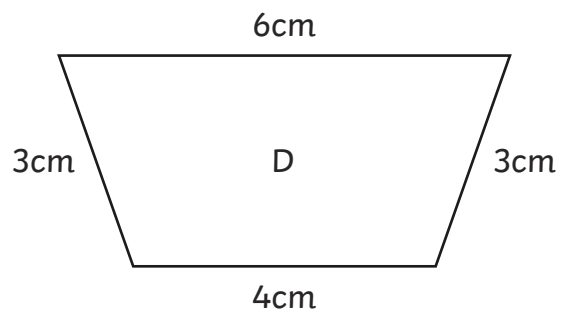
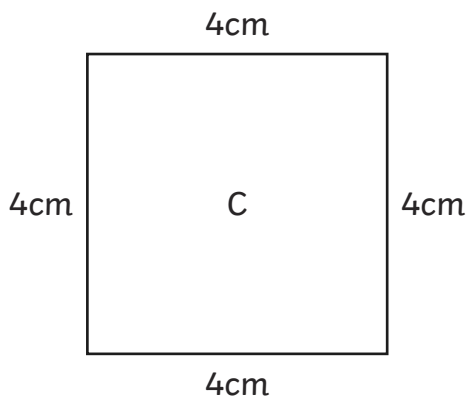
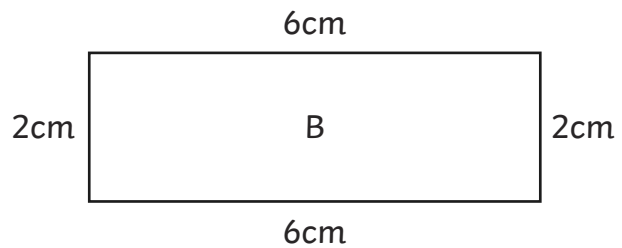
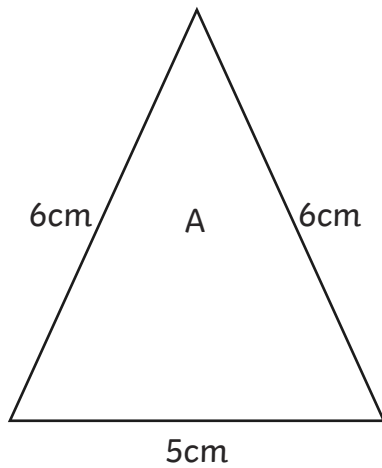


Solving Perimeter Problems

I can solve problems involving perimeter.



- 1) Calculate the perimeter of these shapes.
Which is the odd one out, and why?



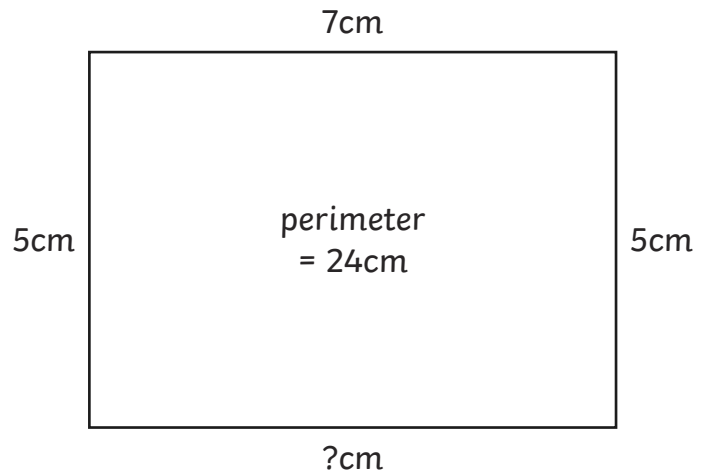
Odd shape out: _____

Reason: _____

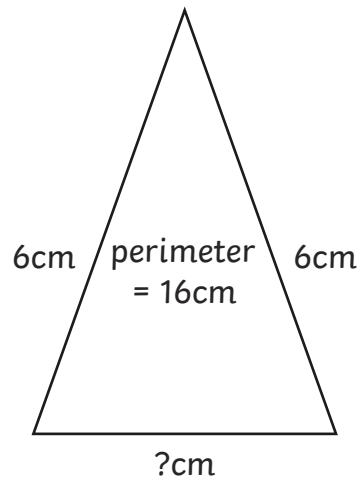


2) Calculate the length of the missing side.

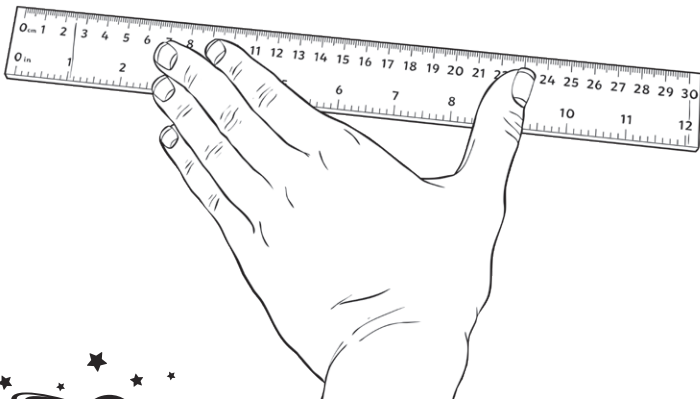
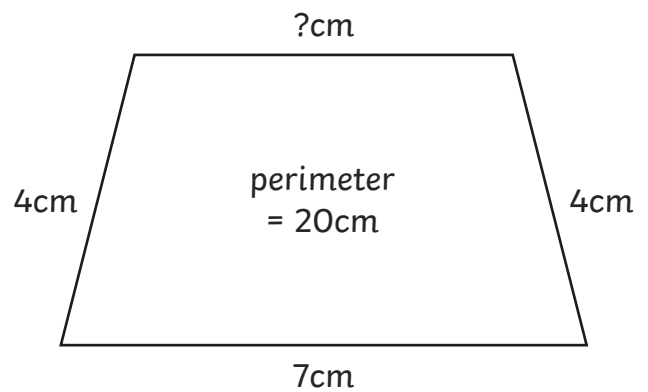
a) Missing side = _____ cm



b) Missing side = _____ cm

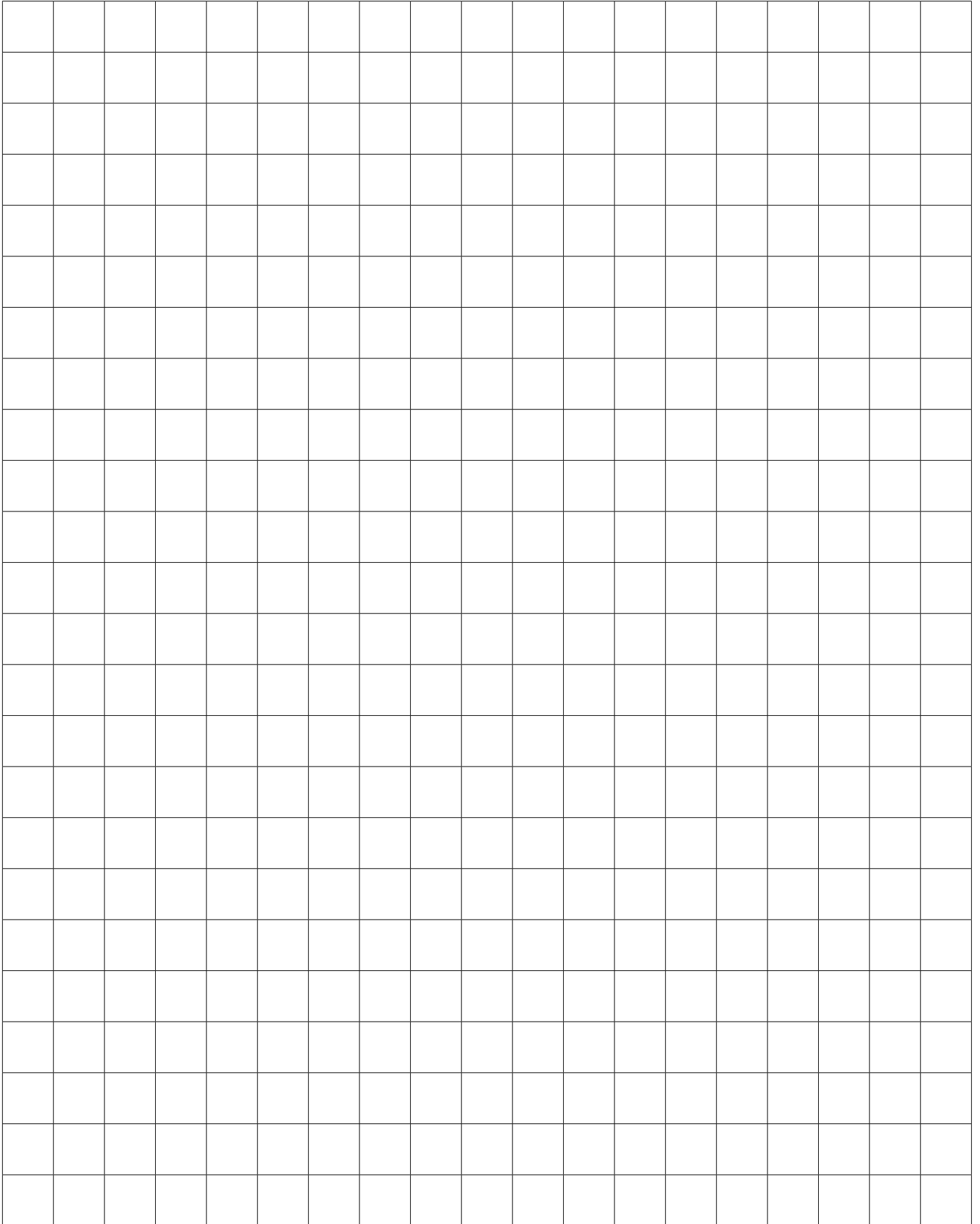


c) Missing side = _____ cm





3) Draw different rectangles, with a perimeter of 24cm:





Solving Perimeter Problems **Answers**

Question	Answer
1.	Calculate the perimeter of these shapes. Which is the odd one out, and why?
	Odd shape out: Shape A Reason: a sentence to show that Shape A has a perimeter of 17cm and all the other shapes have a perimeter of 16cm.
2.	Calculate the length of the missing side.
a.	7cm
b.	4cm
c.	5cm
3.	Draw different rectangles, with a perimeter of 24cm:
	Rectangles drawn from the following dimensions: 11cm x 1cm; 10cm x 2cm; 9cm x 3cm; 8cm x 4cm; 7cm x 5cm; 6cm x 6cm

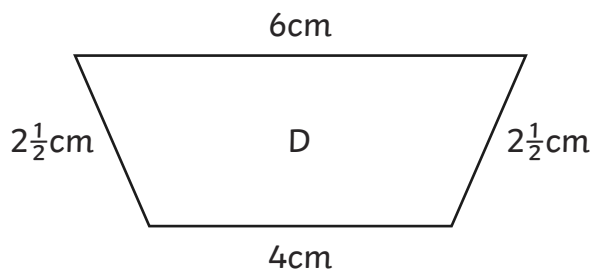
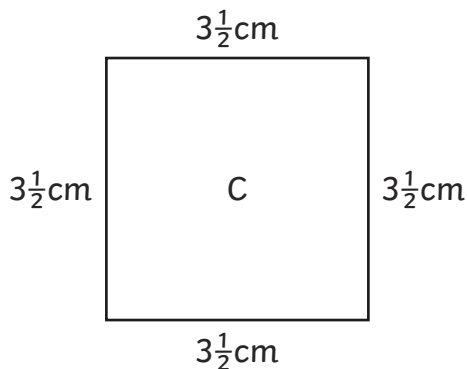
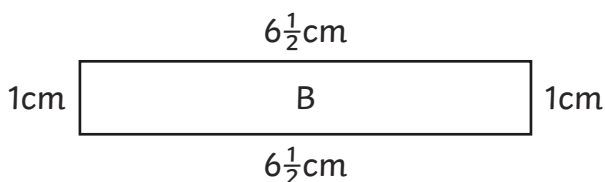
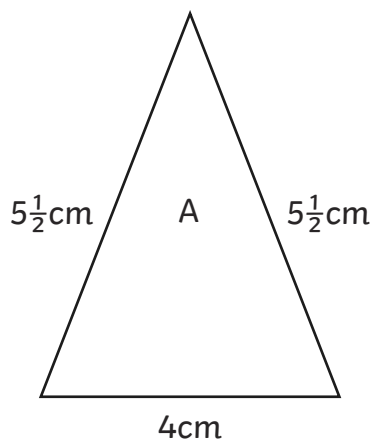


Solving Perimeter Problems

I can solve problems involving perimeter.



- 1) Calculate the perimeter of these shapes.
Which is the odd one out, and why?



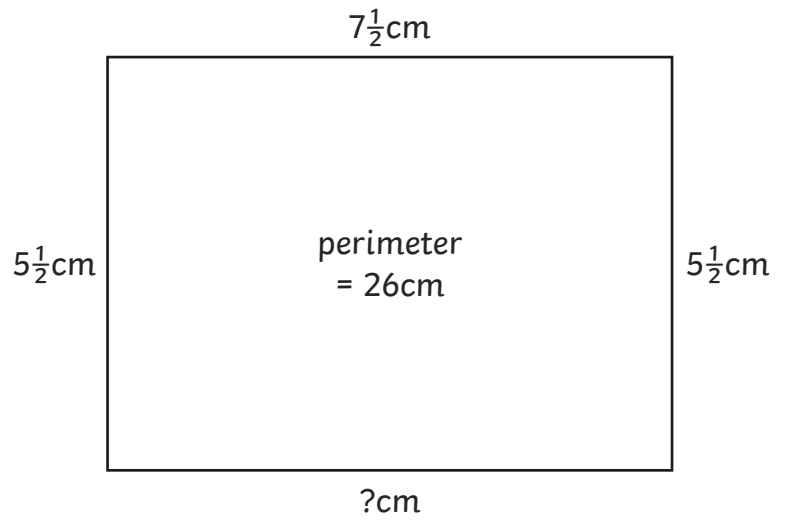
Odd shape out: _____

Reason: _____

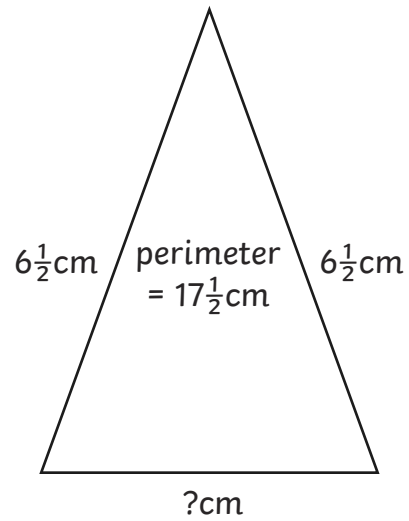


2) Calculate the length of the missing side.

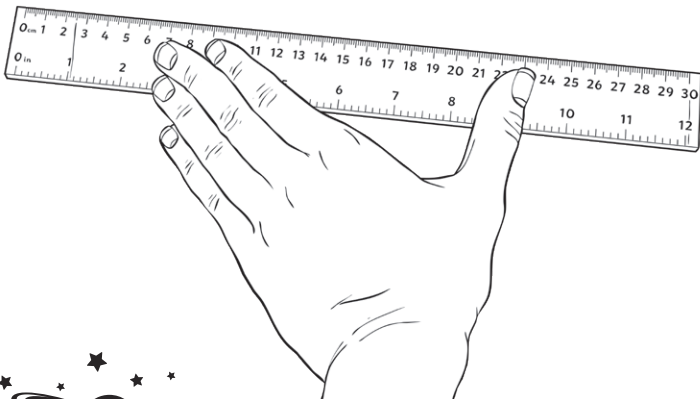
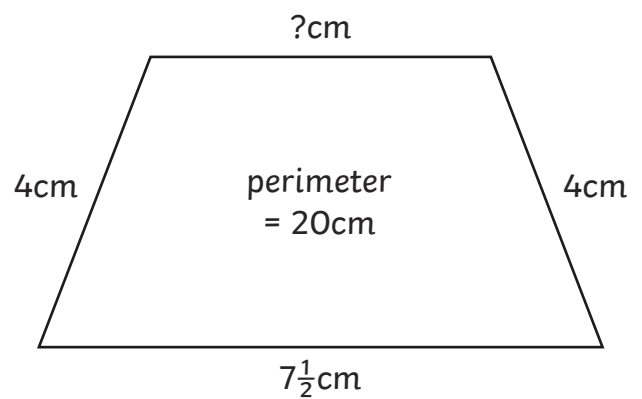
a) Missing side = _____ cm



b) Missing side = _____ cm

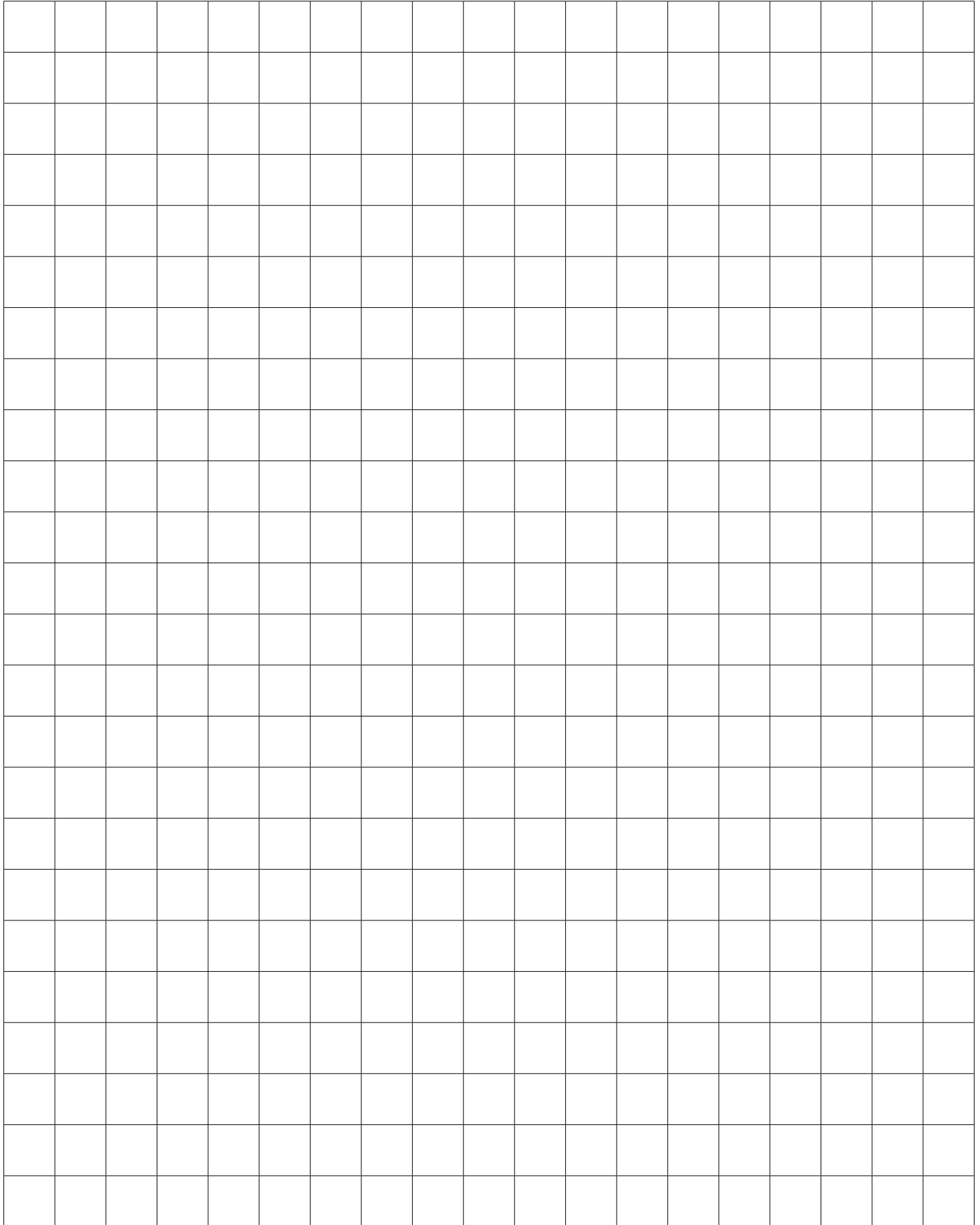


c) Missing side = _____ cm





3) Draw as many different rectangles that you can, with a perimeter of 30cm:





Solving Perimeter Problems **Answers**

Question	Answer
1.	Calculate the perimeter of these shapes. Which is the odd one out, and why?
	Odd shape out: <i>Shape C</i> Reason: <i>a sentence to show that Shape C has a perimeter of 14cm and all the other shapes have a perimeter of 15cm.</i>
2.	Calculate the length of the missing side.
a	<i>7½ cm</i>
b	<i>4½ cm</i>
c	<i>4½ cm</i>
3.	Draw as many different rectangles that you can, with a perimeter of 30cm:
	Rectangles drawn from the following dimensions: <i>14cm x 1cm; 13cm x 2cm; 12cm x 3cm; 11cm x 4cm; 10cm x 5cm; 9cm x 6cm; 8cm x 7cm</i>